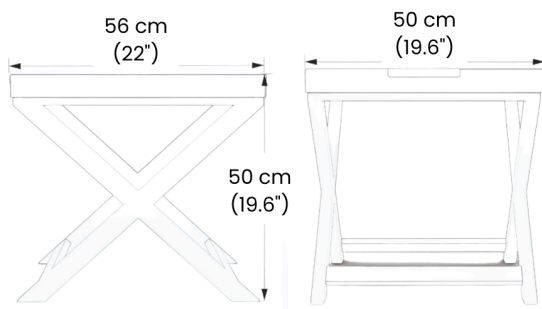


**Designer: IPSE IPSA IPSUM**

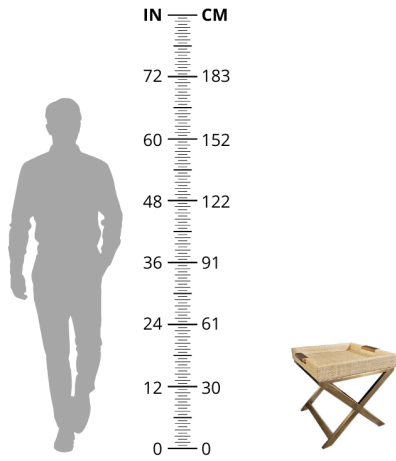
Elegant yet solid, the Club Side Table is inspired by the atmosphere and history of Singapore's iconic Raffles Hotel. The blond woven rattan is completed by a burnished brass finish achieved via a three-step, hand-rubbed process that lends it a subtle, natural patina.

This product is "Made To Order".

Dimensions: L56 x W50 x H50 cm

**Primary Material:** Rattan**Primary Color:** Gold

Customization: As each item is made to order, customizations are possible. Generally, dimensions, colors, and materials may be customized. Please contact cs@vermillionlifestyle.com with your desired details or to obtain information about this brand's range of standard materials.



This information has been provided by the supplier for guidance only. Vermillion is not responsible for the accuracy of this information or for the installation of the product using these notes. For more information, samples, or customizations, please contact cs@vermillionlifestyle.com.